



SIXPAR 300IP™

SKU# SIX025

The new IP65 rated SIXPAR 300IP™ features (18) 12W 6-IN-1 RGBAW+UV LEDs, 100,000 average hour LED life, 15° beam and 25° field angles, electronic strobe and dimming (0-100%), 5 variable dimming curve modes, dual yoke / floor stand, multiple unit power linking, RDM (remote device management), rugged die-cast aluminum exterior, flicker free operation for TV and FILM, 220W max power consumption, and a multi-voltage universal auto switching power supply (110-250v).



FEATURES

IP65 Rated Outdoor Par Up Light

(18) 12W 6-in-1 RGBAW+UV LEDs

100,000 Average Hour LED Life

15° Beam and 25° Field Angles

5 Variable Dimming Curve Modes

Dual Yoke / Floor Stand

Multiple Unit Power Linking

RDM - Remote Device Management

Rugged Die-Cast Aluminum Exterior

Flicker Free Operation for TV and FILM



Specifications are subject to change without notice ©Elation Professional

Elation Professional USA | 6122 S. Eastern Ave. | Los Angeles, CA. 90040
323-582-3322 | 323-832-9142 fax | www.elationlighting.com | info@elationlighting.com

Elation Professional B.V. | J.L.
+31 45 546 85 66 | +31 45

PRODUCT SPECIFICATIONS

FEATURES

- IP65 Rated
- 15° Beam 25° Field Angles
- 5 Variable Dimming Curve Modes
- Dual Yoke / Floor Stand
- Multiple Unit Power Linking
- RDM - Remote Device Management
- Rugged Die-Cast Aluminum Exterior
- Flicker Free Operation for TV and FILM

SOURCE

- (18) 12W 6-in-1 RGBAW+UV LEDs
- 100,000 Hour Average LED Life

PHOTOMETRIC DATA

- 24,500 LUX 2,276 FC @3.3' (1m) (15° Full ON)
- 8,500 LUX 790 FC @6.6' (2m) (15° Full ON)
- 3,950 LUX 367 FC @9.8' (3m) (15° Full ON)
- 2,150 LUX 200 FC @13.1' (4m) (15° Full ON)
- 1,350 LUX 125 FC @16.5' (5m) (15° Full ON)

EFFECTS

- Electronic Strobe
- Color and Chase Macros
- Electronic Dimming: 0% - 100%
- 5 Variable Dimming Curve Modes

CONTROL / CONNECTIONS

- (4) DMX Channel Modes (6 / 7 / 8 / 12)
- (4) Button Touch Control Panel
- LCD Menu Display
- IP DMX In/Out
- IP Power In/Out

SIZE / WEIGHT

- Length: 14.4" (365mm)
- Width: 6.2" (157mm)
- Vertical Height: 14.4" (365mm)
- Weight: 21.0 lbs. (9.5 kg)

ELECTRICAL / THERMAL

- AC 110-250V - 50/60Hz
- 220W Max Power Consumption
- Power Linking: 5pcs @110V / 10pcs @240V
- 68°F to 113°F (20°C to 45°C)

APPROVALS / RATINGS

- CE Approved
- IP65 Rated

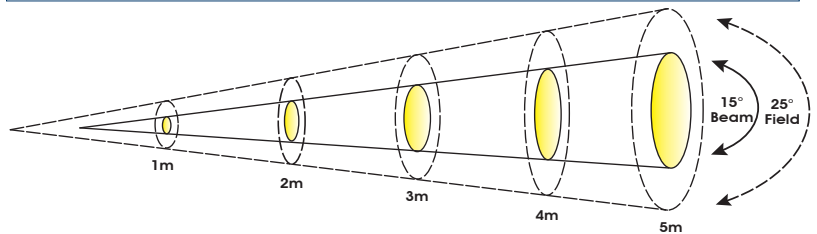
INSTALLATION

- Rigging: Integrated Dual Yoke / Floor Stand
- Working Position: Any (360°)

INCLUDED ITEMS

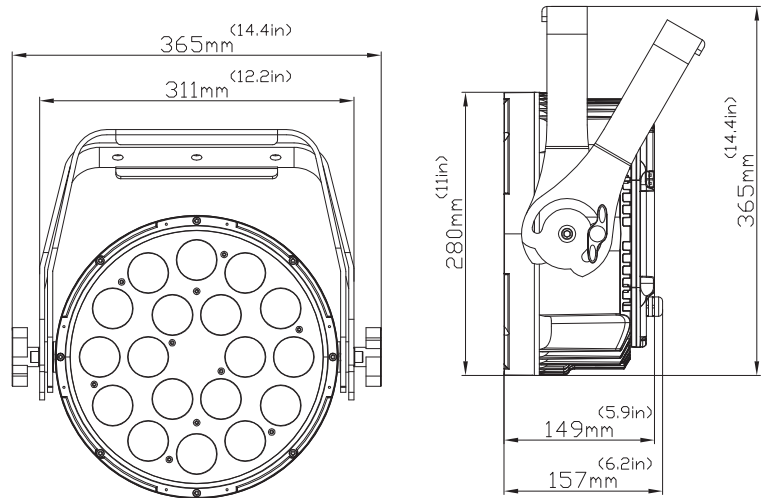
- Male Edison to IP Female Power Cable 6,6 ft. (2m)
- Male 3pin XLR to IP Female DMX Input Cable 3.3 ft (1m)
- Female 3pin XLR to IP Male DMX Output Cable 3.3 ft (1m)

PHOTOMETRIC DATA



Distance	m		ft		m		ft		m		ft		m		ft		
	1	3.3	2	6.6	3	9.8	4	13.1	5	16.4							
15° Beam Diameter	0.4	1.3	0.64	2.1	0.85	2.8	1.05	3.4	1.32	4.3							
25° Field Diameter	0.45	1.5	0.88	2.9	1.33	4.4	1.77	5.8	2.21	7.3							
	lux	fc	lux	fc	lux	fc	lux	fc	lux	fc							
RED LEDs	4,750	441	1,308	122	430	40	315	29	199	18							
GREEN LEDs	8,400	780	2,170	202	1,000	93	554	51	360	33							
BLUE LEDs	9,520	884	2,490	231	1,185	110	662	61	425	39							
WHITE LEDs	10,860	1,009	2,930	272	1,363	127	753	70	491	46							
AMBER LEDs	3,130	291	823	76	351	33	197	18	127	12							
UV LEDs	1,920	178	510	47	240	22	131	12	85	8							
FULL ON	24,500	2,276	8,500	790	3,950	367	2,150	200	1,350	125							

DIMENSIONAL DIAGRAMS



OPTIONAL ACCESSORIES

ORDER CODE	ITEM
TRIGGER CLAMP	Heavy Duty Wrap Around Hook Style Clamp
EWD001	EWDMX IP Wireless IP65 DMX Transceiver
SIXPAR/2MDLC	6.6 ft. (2m) IP Data Link Cable
SIXPAR/2MPLC	6.6 ft. (2m) IP Power Link Cable
SIXPAR/3MDLC	9.8 ft. (3m) IP Data Link Cable
SIXPAR/3MPLC	9.8 ft. (3m) IP Power Link Cable
SIXPAR/5MDLC	**SPECIAL ORDER ITEM** 16.4 ft. (5m) IP Data Link Cable
SIXPAR/5MPLC	**SPECIAL ORDER ITEM** 16.4 ft. (5m) IP Power Link Cable
SIXPAR/10MDLC	**SPECIAL ORDER ITEM** 32.8 ft. (10m) IP Data Link Cable
SIXPAR/10MPLC	**SPECIAL ORDER ITEM** 32.8 ft. (10m) IP Power Link Cable
SIXPAR/20MDLC	**SPECIAL ORDER ITEM** 65.6 ft. (20m) IP Data Link Cable
SIXPAR/20MPLC	**SPECIAL ORDER ITEM** 65.6 ft. (20m) IP Power Link Cable
SIXPAR/DIAC	Data IN IP Adapter Cable
SIXPAR/DOAC	Data OUT IP Adapter Cable
SIXPAR/PIAC	Power IN IP Adapter Cable
SIXPAR/POAC	Power OUT IP Adapter Cable
SIXPAR/TERMINATOR	DMX Terminator End Cap
SIXPAR300/GFH	Gel Frame and Holder Kit



Specifications are subject to change without notice ©Elation Professional

Elation Professional USA | 6122 S. Eastern Ave. | Los Angeles, CA. 90040
323-582-3322 | 323-832-9142 fax | www.elationlighting.com | info@elationlighting.com

Elation Professional B.V. | Junostraat 2 | 6468 EW Kerkrade, Netherlands
+31 45 546 85 66 | +31 45 546 85 96 fax | www.elationlighting.eu | info@elationlighting.eu